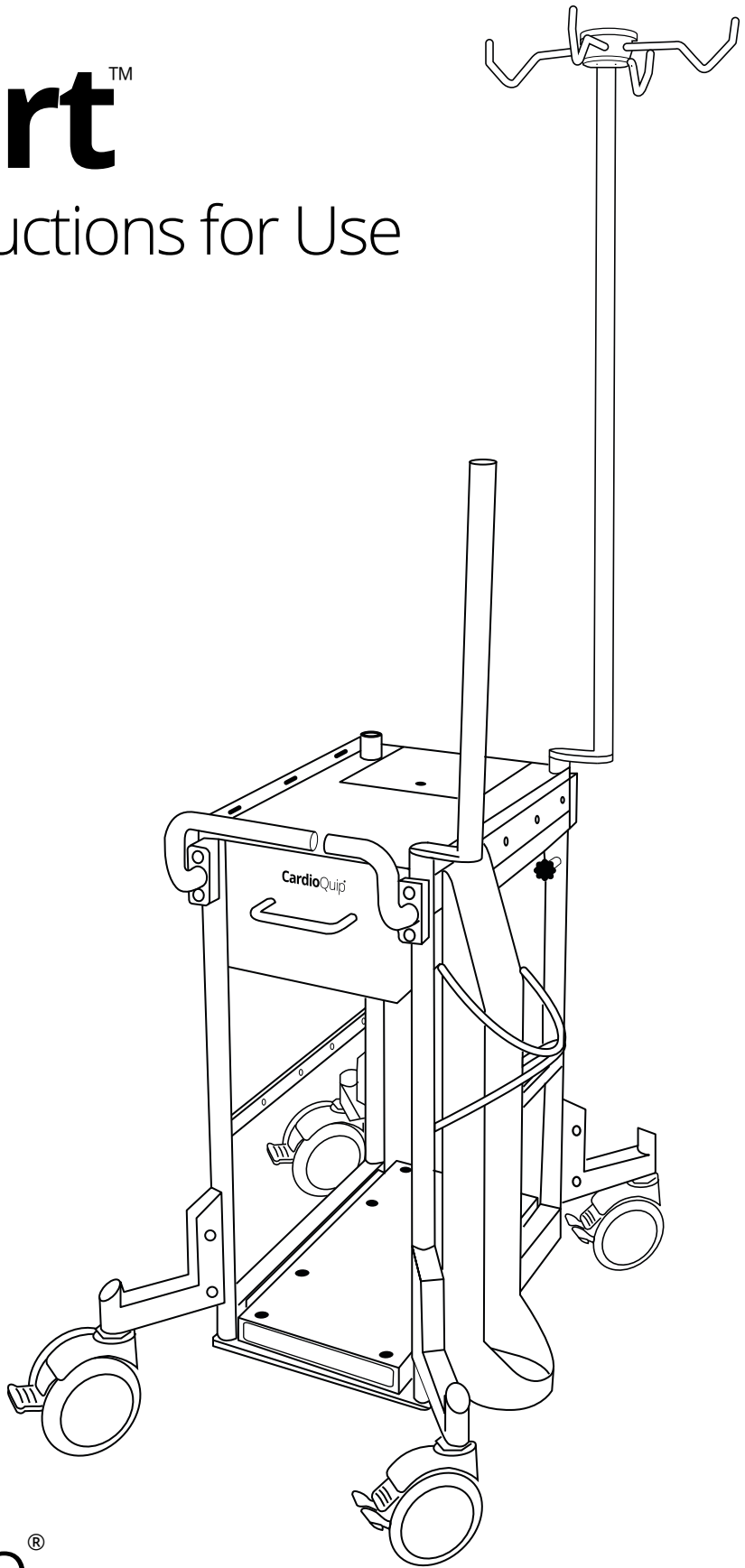


VivaCart™

VC-1000 | Instructions for Use



CardioQuip®

LBL-81 V0

Notices

The information in this document may change without notice. CardioQuip makes no warranty of any kind regarding this material including, but not limited to, the implied warranty of merchantability and fitness for a particular purpose. CardioQuip cannot be held liable for errors herein or for consequential damages concerning the use of this material. CardioQuip reserves the right to make equipment changes and improvements which may not be reflected in this manual.

Online support resources, including the latest version of this manual, may be accessed at cardioquip.com/resources.

This document may not be reproduced in whole or in part, as it contains proprietary information. Such information may not be disclosed to others for any purpose or used for manufacturing purposes without written permission from CardioQuip. Reproduction or storage of this material in electronic media without the express written permission of CardioQuip is prohibited.

Manufacturer's Responsibility

CardioQuip may consider itself responsible for any effect on the safety, reliability and performance of the equipment if and only if:

- Repairs, adjustments, modifications or retrofit are performed by authorized CardioQuip service personnel
- The device is used according to the instructions set forth in this manual
- The electrical service and connections comply with relevant electrical codes

For assistance, call **888-267-6700** (in the U.S.) or **+1 979-691-0202** (international).

VivaCart Service

Contact CardioQuip with questions on parts, servicing or returning merchandise. Please make sure the unit's model and serial number are available prior to contacting service personnel.

CardioQuip Service

8422 Calibration Ct.
College Station, TX 77845, USA
US: 888-267-6700
Fax: 979-691-0206
International: +1-979-691-0202
Email: service@cardioquip.com
Web: www.cardioquip.com/service

Document Change Tracking

Version	Change	By	Approval
V0	Original Version	WDO	DEP

Table of Contents

Notices	1
Manufacturer’s Responsibility	1
VivaCart Service	1
VivaCart General Information.....	3
Indications for Use	3
Manual Conventions	3
Warnings and Precautions	3
Limited Warranty	4
Device Labeling	5
Specifications	6
Approved Max Load	6
VivaCart Overview	7
VivaCart Setup.....	8
VivaCart Components	8
Assembly Components	8
Cart Accessories	9
Unpacking	10
VivaCart Assembly	10
1. Weight Plate Assembly	10
2. Swivel Caster Assembly	11
3. Handle Assembly (Type A)	13
4. Storage Basket Assembly (Type B)	13
5. Corner Mount Assembly (Type C)	14
6. Infusion Pole Assembly (Type C)	14
7. Side Accessory Assembly (Type D)	15
8. Removable Upper Shelf Assembly (Type E)	15
9. Pump Guard Mounting Bracket Installations	16
VivaCart Operation.....	17
Directional Lock Swivel Caster	17
Locking Lower Shelf	18
VivaCart Maintenance.....	19
Cleaning and Disinfection	19
VivaCart Replacement Components	19
VivaCart Replacement Accessories	20
VivaCart Disposal	21

VivaCart General Information







Indications for Use

VivaCart is indicated to store and transport cardiopulmonary equipment used during cardiopulmonary support cases.

Manual Conventions

This Operator's Manual uses the international alert symbol  to indicate critical safety and operational information. The alert symbol followed by a **WARNING** denotes an instruction or procedure which, if not carried out correctly, may result in injury to the technician, the patient or other personnel. The alert symbol followed by a **CAUTION** denotes an instruction or procedure which, if not carried out correctly, may damage the VivaCart or connected equipment.

Warnings and Precautions

-  **WARNING! TIPPING HAZARD. Tipping can occur on inclined surfaces.** To prevent tipping, always keep the cart on a level surface, do not exceed the weight capacity, and distribute the weight evenly. Never push or pull the cart with excessive force or from an angle. Injury could occur if the cart tips over.
-  **WARNING! FALLING HAZARD.** Properly secure and mount all devices and equipment to the VivaCart. Improper mounting or attachment may result in equipment or accessories falling off the cart, causing injury or damage.
-  **WARNING! INSPECT PATIENT LINES PRIOR TO TRANSPORT.** Do not transport VivaCart unless all extracorporeal lines and equipment are securely attached and in proper working order. Disconnected lines can lead to patient injury. Always check and confirm that all equipment is properly secured and connected before transporting a patient.
-  **WARNING!** To ensure patient safety, avoid making significant adjustments to weight-bearing accessories when device is next to patient as it may pose a risk of harm. However, minor maintenance tasks are permissible.
-  **WARNING!** Please refrain from any alterations or modifications to ensure your safety and the proper functioning of VivaCart and its accessories. This can compromise the device's performance and safety standards.
-  **CAUTION:** In the event of visible damage to the power strip, it is essential to connect the equipment directly to wall outlets to ensure grounding integrity until a replacement power strip is obtained from the manufacturer.

Limited Warranty

CardioQuip, LLC ("CardioQuip") provides the following limited warranty ("Limited Warranty") to the purchaser ("Customer") of the CardioQuip VivaCart (the "Equipment").

A. This Limited Warranty provides the following assurances to Customer regarding the Equipment:

(1) Should the Equipment fail to function within normal tolerances due to a material defect in parts or labor within a period of one (1) year, commencing with the delivery of the Equipment to Customer, CardioQuip will at its sole reasonable discretion:

(a) repair or replace any defective part or parts of the Equipment;

(b) issue a credit to the purchaser equal to the Purchase Price, as defined in Subsection A.(2) below, against the purchase of the replacement Equipment; or

(c) provide a functionally reasonably comparable replacement Equipment at no charge.

(2) As used herein, "Purchase Price" shall mean the lesser of the net invoiced price of the original, or current functionally comparable, or replacement Equipment.

B. To qualify for the repair, replacement or credit as set forth in Section A of this Limited Warranty, the following conditions must be met:

(1) The Equipment must be returned to CardioQuip within thirty (30) days after Customer's discovery of the material defect. CardioQuip may, at its sole reasonable discretion, elect to repair the Equipment on site.

(2) The Equipment must not have been repaired or altered outside of CardioQuip's factory in any way which, in the sole reasonable judgment of CardioQuip, affects its stability and reliability. The Equipment must not have been subjected to misuse, abuse or accident by Customer.

(3) The Equipment must not have been shipped by commercial carrier beyond the point of CardioQuip's initial shipment.

C. This Limited Warranty is limited to its express terms. In particular:










(1) Except as expressly provided by this Limited Warranty, CARDIOQUIP IS NOT RESPONSIBLE FOR ANY DIRECT, INCIDENTAL OR CONSEQUENTIAL DAMAGES BASED ON ANY DEFECT, FAILURE OR MALFUNCTION OF THE EQUIPMENT, WHETHER THE CLAIM IS BASED ON WARRANTY, CONTRACT, TORT, OR OTHERWISE.

(2) THIS LIMITED WARRANTY IS MADE ONLY TO THE CUSTOMER. AS TO ALL OTHERS, CARDIOQUIP MAKES NO WARRANTY, EXPRESS OR IMPLIED, INCLUDING, BUT NOT LIMITED TO, ANY IMPLIED WARRANTY OF MERCHANTABILITY, OR FITNESS FOR A PARTICULAR PURPOSE WHETHER ARISING FROM STATUTE, COMMON LAW, CUSTOM OR OTHERWISE. NO EXPRESS OR IMPLIED WARRANTY TO CUSTOMER SHALL EXTEND BEYOND THE PERIOD SPECIFIED IN A.(1) ABOVE. THIS LIMITED WARRANTY SHALL BE THE EXCLUSIVE REMEDY AVAILABLE TO CUSTOMER OR ANY THIRD PARTY.

(3) The exclusions and limitations set out above are not intended to and should not be construed so as to contravene mandatory provisions of applicable law. If any part or term of this Limited Warranty is held to be illegal, unenforceable or in conflict with applicable law by a court of competent jurisdiction, the validity of the remaining portions of the Limited Warranty shall not be affected, and all rights and obligations shall be construed and enforced as if this Limited Warranty did not contain the particular part or term held to be invalid. This Limited Warranty gives Customer specific legal rights. Customer may also have other rights under applicable law which may vary from state to state.

(4) CardioQuip employees have no authority to bind CardioQuip to any representation, condition or warranty except this Limited Warranty.

Device Labeling

	Manufacturer Information
	Date of Manufacture
	Serial Number
	Product should not be discarded as unsorted waste but must be sent to separate collection facilities for recovery and recycling.
	Consultation of Instructions for Use is critical to safe operation
	NRTL Certification: IEC 60601-1 Medical Electrical Equipment
	To indicate acceptable maximum and minimum temperature limits for transport and storage.
	To indicate the acceptable upper and lower limits of relative humidity for transport and storage.
	To indicate the acceptable upper and lower limits of atmospheric pressure for transport and storage.

Specifications

Material	Stainless Steel
Dimensions (LxWxH) including poles	81.3 x 58.4 x 198.1 cm (32 x 23 x 78 in)
Weight*	46.2 kg (102 lbs)

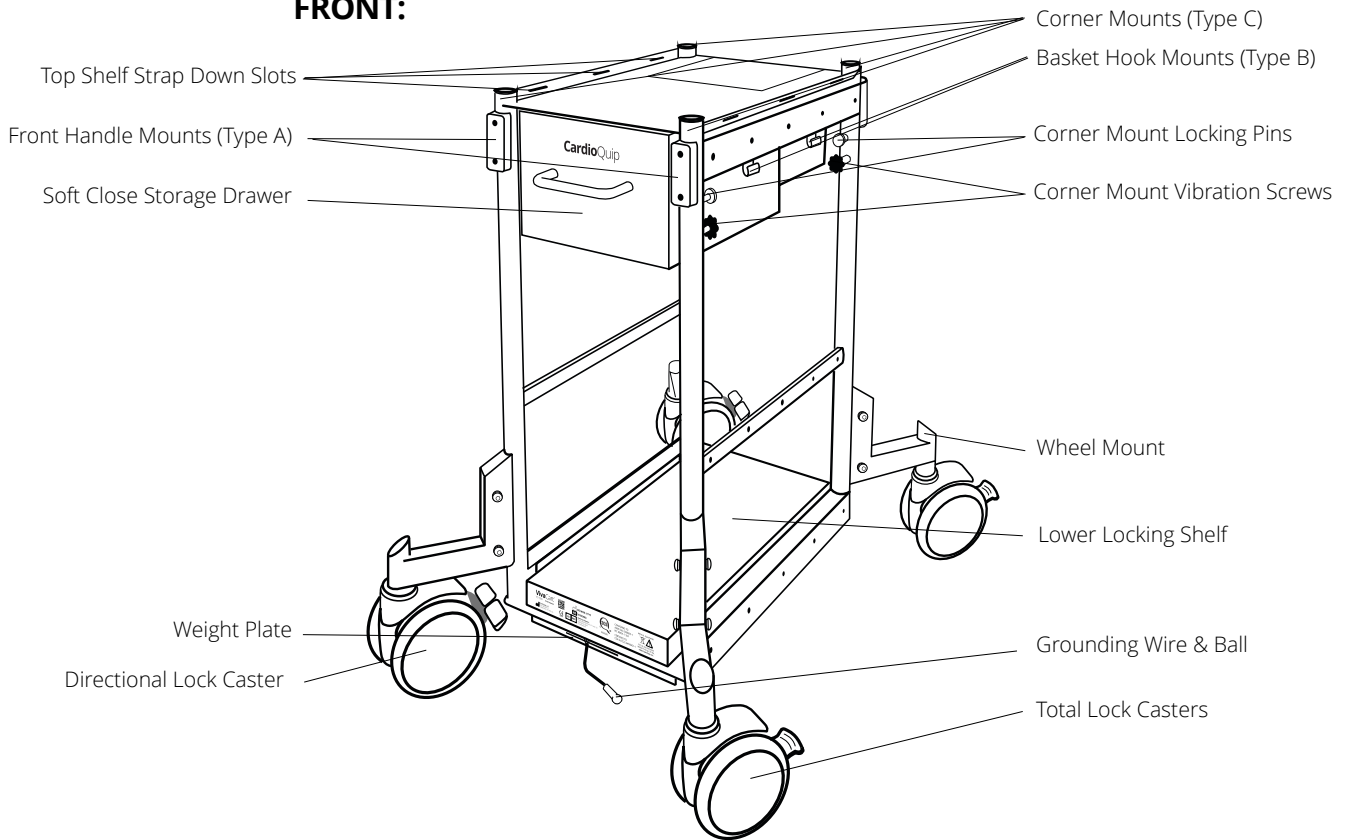
**weight will vary depending on configuration of accessories*

Approved Max Load

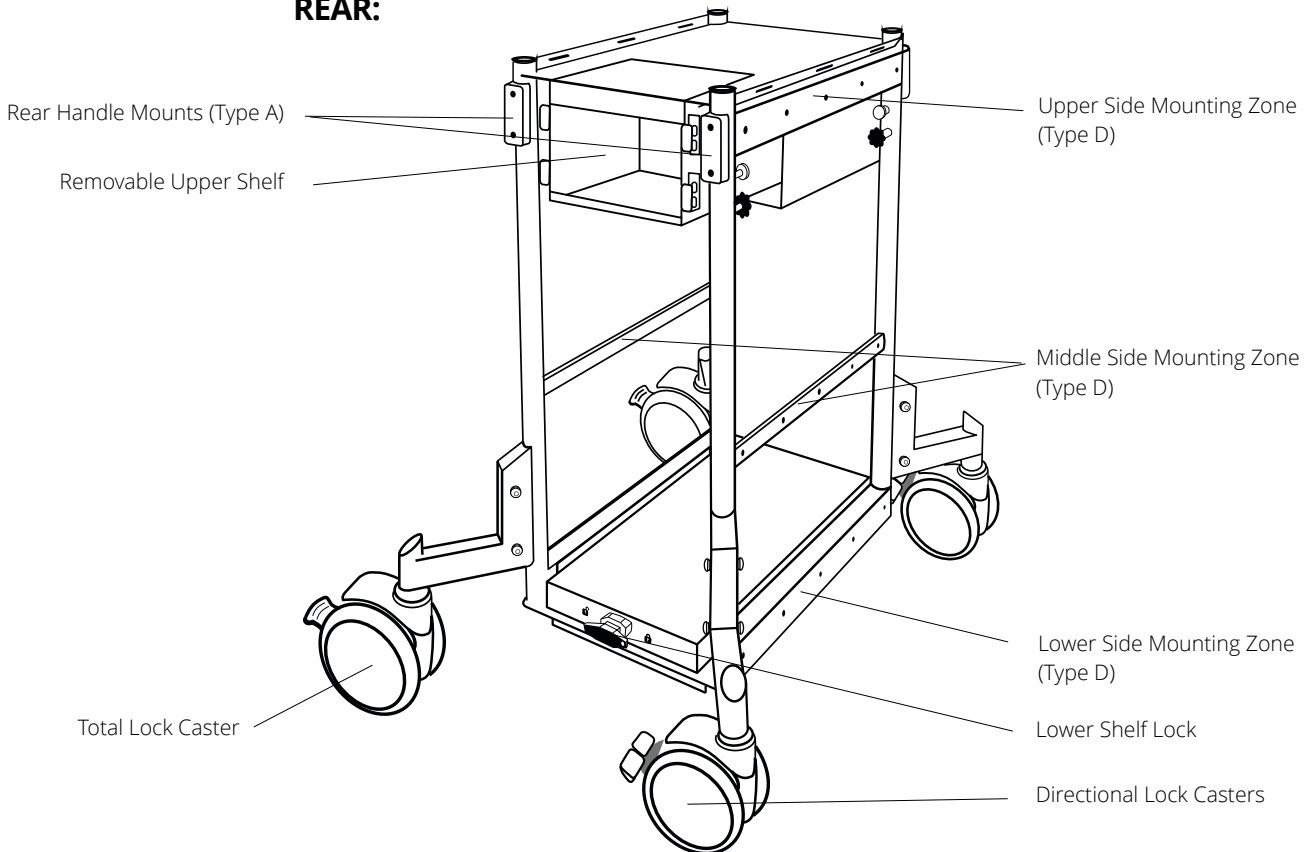
Description	Part Number(s)	Approved Max Load
Storage Basket	VC-B-VSB	13.6 kg (30 lbs) placed inside of the mounted basket
Corner Mounting Poles	VC-C-M25 VC-C-M46	13.6 kg (30 lbs) attached with a clamp arm out away from the cart body at the top of the pole.
Infusion Pole w/ hooks	VC-C-INF	6.8 kg (15 lbs) per hook with no more than 18.1 kg (40 lbs) distributed throughout the entire pole
Single Hose Hook	VC-D-SH1	4.5 kg (10 lbs) hanging from the hose hook
Triple Hose Hook	VC-D-SH3	4.5 kg (10 lbs) per hook for each hose hook
Side Mount Oxygen Tank Holder (Type E)	VC-D-O2E	9 kg (20 lbs) placed inside
Upper Shelf	—	18.1 kg (40 lbs) resting on the center of the shelf
Soft-Close Drawer	VC-R-RDR	13.6 kg (30 lbs) within the drawer fully open
Lower Locking Shelf	—	36.3 kg (80 lbs) fully open

VivaCart Overview

FRONT:



REAR:

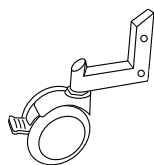


VivaCart Setup

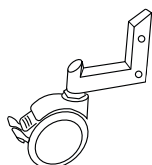
VivaCart Components

Assembly Components

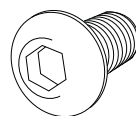
Type	P/N	Description	Std. QTY
AA	VC-AA-HXS	Hex Screw, 8mm (M8)	36
AB	VC-AB-LKW	Lock Washers 8mm (M8) Diameter	42
AC	VC-AC-WAS	Washers, 8mm (M8) Diameter	42
AD	VC-R-DLC	Directional lock caster and mount	2
AE	VC-R-TLC	Total lock caster and mount	2
AF	VC-AF-CMP	Corner Mount Plunger	2
AH	VC-AH-HXT	Hex Tool (5mm) for Assembly	1



VC-R-TLC
Total Lock Caster &
Mount



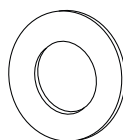
VC-R-DLC
Directional Lock
Caster & Mount



VC-AA-HXS
Hex Screw, 8mm (M8)



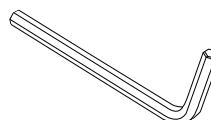
VC-AB-LKW
Lock Washers, 8mm
(M8)



VC-AC-WAS
Washers, 8mm (M8)



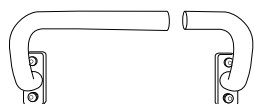
VC-AF-CMP
Corner Mount Plunger



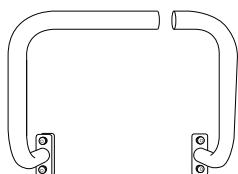
VC-AH-HXT
Hex Tool (5mm) for
assembly

Cart Accessories

Description	P/N	Type	Std. QTY	Optional
Compact Handle, 4 cm	VC-A-H04	A		x
Extended Handle, 16 cm	VC-A-H16	A	1	
Weight Plate, 11 lbs	VC-A-WP	A		x
Storage Basket	VC-B-VSB	B		x
Infusion pole w/ removable hooks	VC-C-INF	C	1	
Corner mounting pole, 25 cm	VC-C-M25	C	1	
Corner mounting pole, 46 cm	VC-C-M46	C		x
Side Mount Single Hook	VC-D-SH1	D	1	
Side Mount Triple Hook	VC-D-SH3	D		x
Side Mount Oxygen Tank Holder (fits type E cylinders)	VC-D-O2E	D		x
Side Mount Power Strip, 20A	VC-D-20A	D		x
Removable Upper Shelf	VC-E-RTS	E	1	
Pump Guard Mounting Brackets (set of 2)	VC-E-PGM	E		x



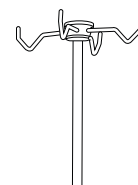
VC-A-H04
Compact Handle
4 cm



VC-A-H16
Extended
Handle, 16 cm



VC-B-VSB
Storage Basket



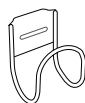
VC-C-INF
Infusion Pole w/
removable hooks



VC-C-M25
Corner Mounting
Pole, 25 cm



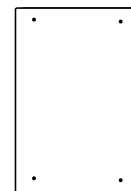
VC-C-M46
Corner Mounting
Pole, 46 cm



VC-D-SH1
Side Mount
Single Hook



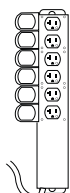
VC-D-SH3
Side Mount
Triple Hook



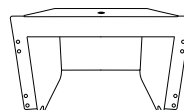
VC-A-WP
Weight Plate, 11 lbs



VC-D-O2E
Side Mount Oxygen
Tank Holder (fits
type E cylinders)



VC-D-20A
Side Mount Power
Strip, 20A



VC-E-RTS
Removable Upper
Shelf



VC-E-PGM
Pump Guard
Mounting Brackets
(set of 2)

Unpacking

Carefully inspect the shipping carton for any damage. If damage has occurred, contact the carrier and request a damage report prior to opening the carton. Notation of damages with the delivery person will speed the filing of damage claims.

VivaCart Assembly

To assemble VivaCart, begin by installing the optional weight plate.

1. Weight Plate Assembly

The Optional Weight Plate (**VC-A-WP**) helps lower the center of mass on the VivaCart reducing tipping hazard. The weight plate assembly includes four (4) M6 mounting screws, lock washers, and washers. To install the weight plate, follow the steps below:

1. Turn the VivaCart on its side with lower shelf locking mechanism facing up (see fig. 1.1).
2. Insert the weight plate in the bay beneath the cart, directly below the shelf locking mechanism (see fig. 1.2).
3. To secure the weight plate, align with the screw holes in the bottom of the cart and tighten the M6 hex screws with a hex wrench tool (four screws total). Make sure each mounting screw has a lock washer, and washer (see fig. 1.3) before securing weight plate to base (see fig. 1.4).

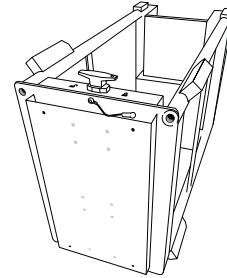


Fig. 1.1 Placing VivaCart on side with shelf locking mechanism facing up.

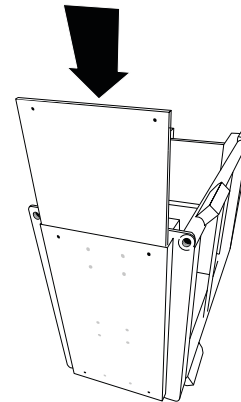


Fig. 1.2 Inserting Weight Plate

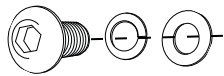


Fig. 1.3 Securing M6 mounting screws.

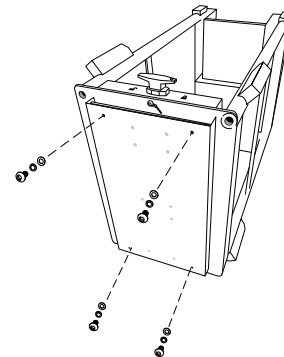


Fig. 1.4 Securing weight plate with M6 mounting screws.

2. Swivel Caster Assembly

Begin assembly by attaching the swivel casters. VivaCart comes standard with four swivel casters: two (2) Directional Lock Casters, **VC-R-DLC**, and two (2) Total Lock Casters, **VC-R-TLC**. For best results and added control, install one directional lock caster on both the front and rear of the cart (see fig. 2.1). Note: VivaCart may be equipped with all directional lock casters for an additional cost.

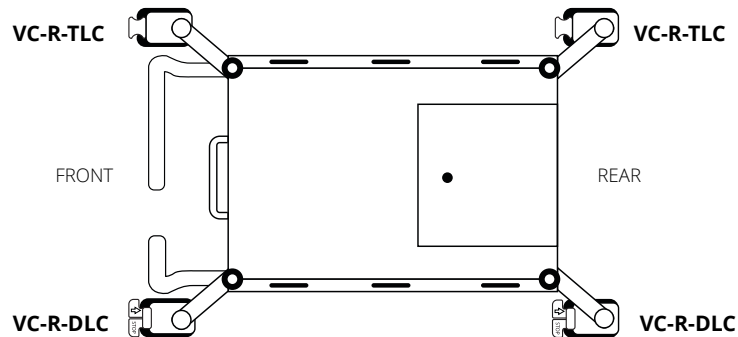
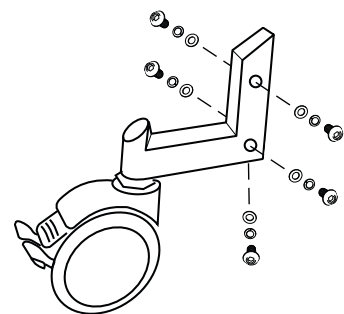


Fig. 2.1 Recommended caster orientation with directional lock casters at front and rear of cart.

To assemble casters, follow the steps below:

Directional Lock Casters (VC-R-DLC) Assembly

1. Activate the green tab on both **VC-R-DLC** Directional Lock Casters and rotate the caster until the lock engages. Hold up the caster to the mounting block on the drawer side and ensure the lock is engaged parallel to the direction of cart motion. If the wheel is locked perpendicular to the direction of motion, try the other wheel.
2. Tilt the cart on its side and hand-tighten the five Hex screws (**AA**) with lock washer (**AB**) and washer (**AC**) in that order (see fig. 2.2). Secure all five screws (two on each side and one on bottom).
3. Press the caster mounting leg firmly into the cart body and tighten with a hex wrench (**VC-AH-HXT**) from the top down.
4. Repeat until both directional lock casters are secure.



VC-R-DLC

Directional lock caster and mount

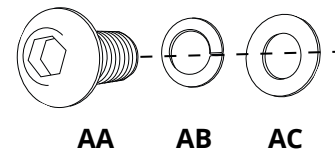
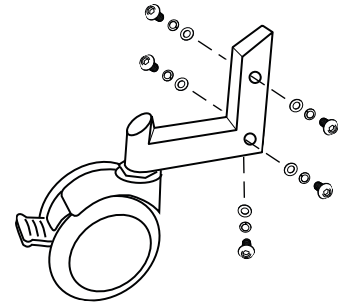


Fig. 2.2 Securing mounting screws.

Total Lock Caster (VC-R-TLC) Assembly

1. With the cart still on its side, place the Total Lock Caster on the mounting block and hand-tighten the five Hex screws **(AA)** with lock washer **(AB)** and washer **(AC)** in that order (see fig. 2.2). Secure all five screws (two on each side and one on bottom).
2. Press the caster mounting leg firmly into the cart body and tighten with the hex wrench **(VC-AH-HXT)** from the top down.
3. Repeat until both total lock casters are secure.



VC-R-TLC

Total Lock Caster and mount

Note: If casters are not rolling level once installed, check to ensure all casters are engaging. If one or more casters is not engaging the ground, loosen bottom M8 screw and four (4) side screws on the wheel mount and press firmly down on the wheel mount to lower the mounting position. Next, tighten the four (4) side screws in place before tightening the lower screw.

3. Handle Assembly (Type A)

VivaCart has 2 sizes of handles (that can be mounted at the front or rear of the cart. Cart handles are designed with a long side and a short side, and one or both can be installed depending on preference. When both handles are installed, the small notch that is created can be used to aid in cord/hose management.

To install handles, the long side goes on the left mount, and the short side is attached to the right mount (see fig. 3.1). With the handle in the correct upright orientation, mount the handle using a hex screw **(AA)**, with lock washer **(AB)**, and washer **(AC)** (see fig. 3.2) and secure the accessory into the hole (hand tighten). Next, use a hex tool **(AG)** to tighten the screw.

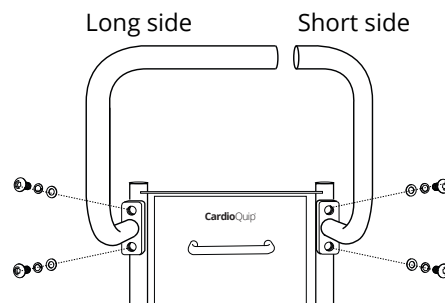


Fig. 3.1. Mounting handle to VivaCart

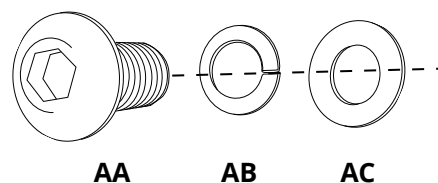


Fig. 3.2. Securing mounting screws.

4. Storage Basket Assembly (Type B)

The optional VivaCart Storage Basket **(VC-B-VSB)** can only be mounted on the side of the cart with basket hook mounts (see fig 4.1).

To install, place the wire loops near the opening of the basket (see fig. 4.2) inside the basket hook mounts (see fig. 4.1) and push down to lock into place, making sure that the lower hooks (see fig. 4.3) fit over the middle side mounting zone.

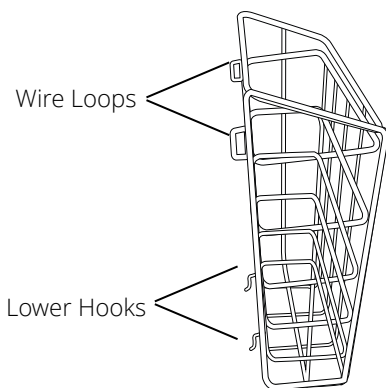


Fig. 4.2 Storage basket wire loops and lower hooks

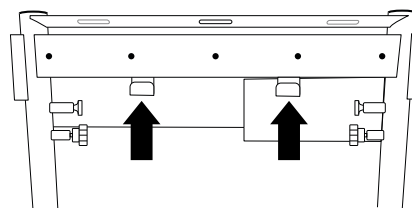


Fig. 4.1 Basket hook mounts

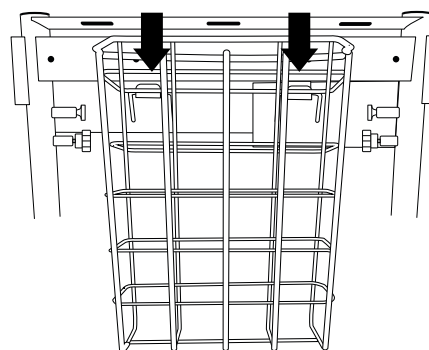


Fig. 4.3 Storage Basket wire loops inserted to basket hook mounts

5. Corner Mount Assembly (Type C)

VivaCart features 4 customizable corner mounts that can be customized with all TYPE C parts (see “[Cart Accessories](#)”, pg. 9).

To secure, insert TYPE C part to desired corner mount.

Pull locking pin and twist pole until it locks into place with a “click” (see fig. 5.1).

To lessen noise caused by vibration, tighten the vibration screw (see fig. 5.2).

For any unused corners of the top shelf, insert the corner mount plunger (VC-AF-CMP) to aid cleaning (see fig. 5.3).

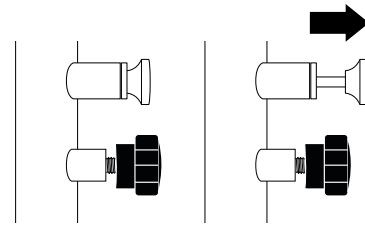


Fig. 5.1 Releasing locking pin

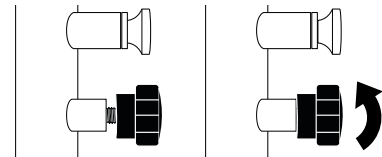


Fig. 5.2 Tightening vibration screw

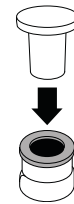


Fig. 5.3 Corner Mount Plunger

6. Infusion Pole Assembly (Type C)

VivaCart’s **infusion pole (VC-C-INF)** features four removable hooks for hanging.

To install hooks, begin by unscrewing the pole cap (see fig. 6.4).

Next, insert hooks facing upward (see fig. 6.5) into each of the four slots and replace cap. Hand tighten pole cap to secure hooks.

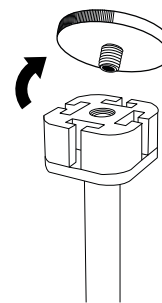


Fig. 6.4 Removing pole cap

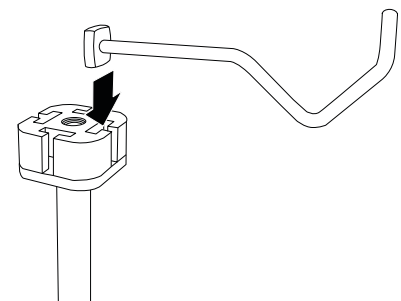


Fig. 6.5 Proper hook orientation.

7. Side Accessory Assembly (Type D)

VivaCart features 15 customizable side mounting zones on either side of the cart that can be customized with **TYPE D** parts (see “[Cart Accessories](#)”, pg. 9).

To mount side accessories, choose desired location, and use a hex screw (**AA**), with lock washer (**AB**), and washer (**AC**) and secure the accessory into the hole. hand tighten. Next, use a hex tool (**AG**) to tighten the screw (see fig. 7.1).

For side mount single hook (VC-D-SH1), side mount triple hook (VC-D-SH3), and side mount oxygen tank holder (VC-D-O2E), the mounting hole is slotted for non-centered placement of mounting screws. The movement along the mounting zone (see fig. 7.2) allows for greater flexibility and frees up space.

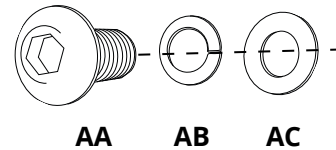
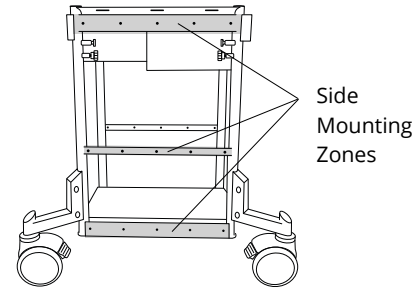


Fig. 7.1 Securing mounting screws.

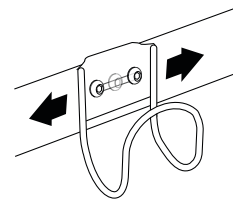


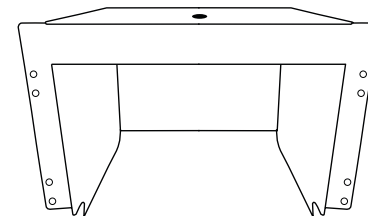
Fig. 7.2 Slotted mounting hole on side mount accessories

8. Removable Upper Shelf Assembly (Type E)

VivaCart features a removable top shelf (**VC-E-RTS**) that helps accommodate a variety of centrifugal pumps.

To remove, pull out the shelf until it is released by the spring lock. When not in use, store the removable shelf in a dry location.

To re-insert, ensure the shelf is oriented properly and push into the cut out area until removable shelf locks into place. Once properly inserted, the removable shelf should be flush with the rest of the top shelf.



Removable Upper Shelf
VC-E-RTS

9. Pump Guard Mounting Bracket Installations

Pump Guard Mounting Brackets (**VC-E-PGM**) securely mount the Maquet Cardiohelp® to the top shelf of VivaCart.

To install, remove the Removable Upper Shelf (VC-E-RTS) from the VivaCart.

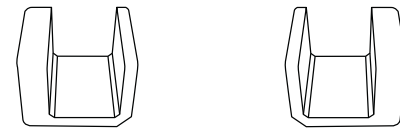
Clean and prepare the surface of the cart by applying Isopropyl Alcohol to a paper towel and wiping down the VivaCart's top shelf (specifically the "u" area around the cut out).

Next, peel the white adhesive cover from the bottom of the pump guard mounting bracket and carefully line up the pump guard mounting brackets as shown (9.1).

Ensure to line up the two mounts evenly on each side of the cut-out in the top shelf. Press firmly on mounting bracket for 30 seconds to adhere to VivaCart.

Note: the thin side of the pump guard mounting bracket should hang over the cut out (see fig. 9.2).

To remove: Pull or twist the mounting bracket with a large amount of force.



VC-E-PGM

Pump Guard Mounting Brackets
(set of 2)



Fig. 9.1 Line up Pump Guard Mounting Brackets

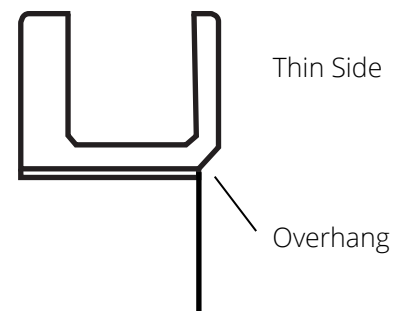


Fig. 9.2 Pump Guard Mounting Brackets

Maquet Cardiohelp is a trademark of Maquet Cardiopulmonary GmbH.

VivaCart Operation

Directional Lock Swivel Caster

VivaCart features three-way directional lock swivel casters to aid in ease of transport. With directional lock engaged, VivaCart will roll truer and straighter.

Each of the three colored control tabs give the caster a different function when pressed firmly (see fig. 9.1):

GREEN (also indicated by arrow) activates **Directional Lock**, where the caster locks in a fixed direction of movement parallel with the cart.

RED (also indicated by the word "STOP") activates the brake that locks the caster in place and does not allow movement

GRAY (also indicated by the word "OFF") unlocks the caster to move .

Fig. 9.1 Using Directional Lock Casters

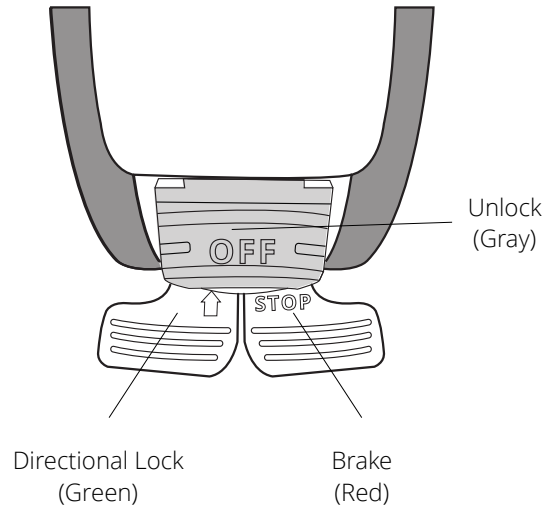


Fig. 10.1 Unlocking the lower shelf.

Fig. 10.2. Locking the lower shelf.

For best results, activate directional lock on the opposite end of where you are pulling or pushing VivaCart (see fig. 9.2 and 9.3). For instance, if you are pushing from handles mounted on the front of the cart (enclosed drawer side), activate directional lock on the rear of the cart.

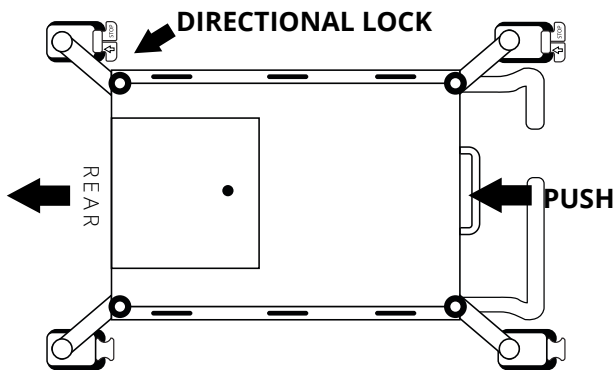


Fig. 9.2 When pushing VivaCart from the **front**, activate directional lock in the **rear** of the cart.

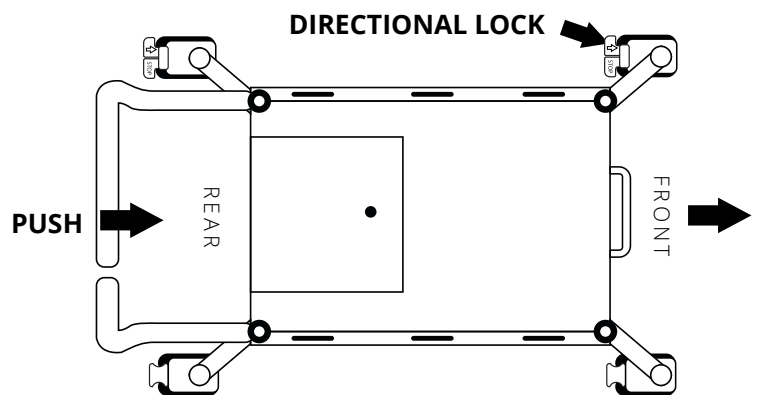


Fig. 9.3 When pushing VivaCart from the **rear**, activate directional lock in the **front** of the cart.

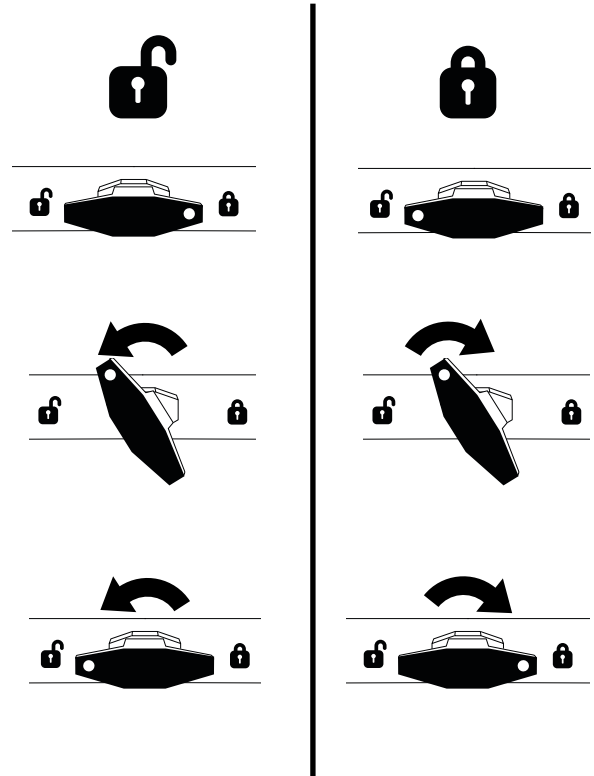
Locking Lower Shelf

The lower locking shelf of the VivaCart is designed to house the CardioQuip MCH-1000(m) in three different locking positions.

To adjust the locking lower shelf:

1. Unlock the shelf by turning the dial counter-clockwise (see fig. 10.1),
2. Lock the shelf by turning the dial clockwise. **Prior to transport, ensure the shelf is completely retracted and locked by gently pulling on the handle.**

The locking lower shelf is able to be locked in three positions.



WARNING!

Keep the lower shelf completely retracted and locked during transport. Do not attempt to move VivaCart with the lower shelf in the unlocked position or with the shelf out.

VivaCart Maintenance

Cleaning and Disinfection

After each use, clean all outer surfaces of the VivaCart with EPA-registered tuberculocidal disinfectant wipes, including accessories, to remove any splattered materials or spilled liquids.

VivaCart Replacement Components

The following is a list of replacement components that can be purchased through a local representative. For ordering information, visit the CardioQuip website, www.cardioquip.com/sales.

Replacement Components	
P/N	Description
VC-F-HS8	M8 x 32 Hardware Set with Hex Tool
VC-F-HS6	M6 Hardware Set
VC-R-DLC	Replacement Directional Lock Caster and Mount
VC-R-TLC	Replacement Total Lock Caster and Mount
VC-R-RDR	Replacement Soft Close Storage Drawer w/Slides (Includes Hardware)
VC-R-GWB	Replacement Grounding Wire & Ball
VC-R-LLS	Replacement Lower Locking Shelf W/ Slides (Includes Hardware)
VC-R-LSI	Replacement Lower Shelf Plastic Inserts
VC-R-VSC	Replacement Vibration Screws

VivaCart Replacement Accessories

The following is a list of replacement accessories that can be purchased through a local representative. For ordering information, visit the CardioQuip website, www.cardioquip.com/sales.

Replacement Accessories	
P/N	Description
VC-A-WP	Weight Plate (includes Hardware)
VC-A-H04	Compact Handle, 4 cm
VC-A-H16	Extended Handle, 16 cm
VC-AF-CMP	Corner Mount Plunger
VC-B-VSB	Storage Basket
VC-C-INF	Infusion Pole w/Hooks
VC-C-IH4	Infusion Pole replacement hooks (set of 4)
VC-C-M25	Corner Mounting Pole, 25 Cm
VC-C-M46	Corner Mounting Pole, 46 Cm
VC-D-SH1	Side Mount Triple Hook
VC-D-SH3	Side Mount Single Hook
VC-D-O2E	Side Mount Oxygen Tank Holder (Fits Type E Cylinders)
VC-D-20A	Side Mount Power Strip, 20A
VC-E-PGM	Pump Guard Mount
VC-E-PGA	Pump Guard Mount Replacement Adhesive Strips
VC-E-RTS	Removable Upper Shelf

VivaCart Disposal

The bulk metal portion of the VivaCart should be recycled at a local scrap metal recycler. Prior to disposal, remove the casters and plastic thumb screws and dispose according to hospital policy.



WARNING! PROPER DISPOSAL. VivaCart must be properly disposed of in accordance with all applicable local, state, and federal regulations. Improper disposal can result in environmental harm and potential legal consequences. Contact your local waste management authority for information on the proper disposal of this cart.